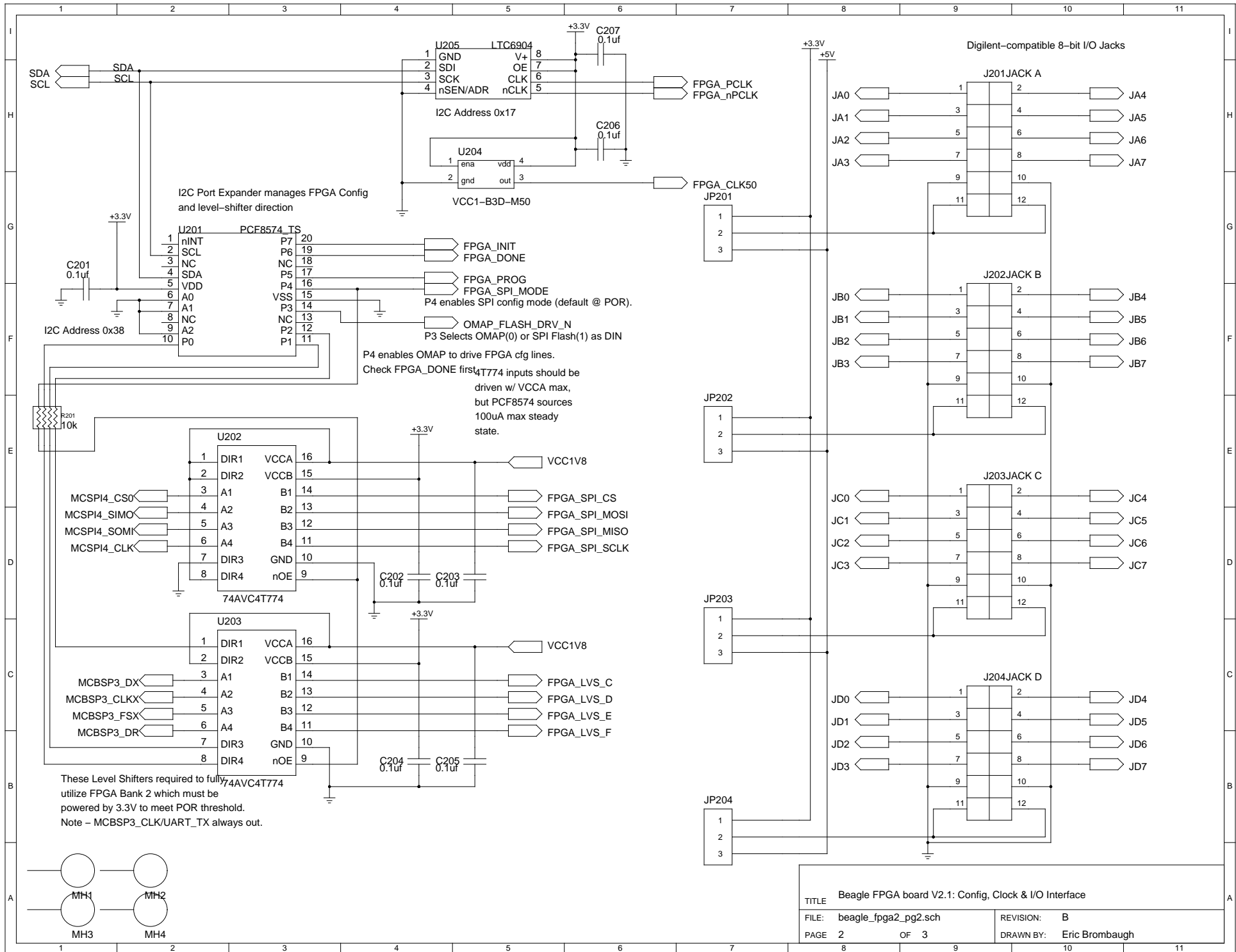


TITLE Beagle FPGA board V2.1: Beagle Interface	
FILE: beagle_fpga2_pg1.sch	REVISION: -
PAGE 1 OF 3	DRAWN BY: Eric Brombaugh



TITLE Beagle FPGA board V2.1: Config, Clock & I/O Interface	
FILE: beagle_fpga2_pg2.sch	REVISION: B
PAGE 2 OF 3	DRAWN BY: Eric Brombaugh

