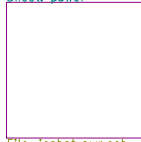


Sheet: RPI_GPIO



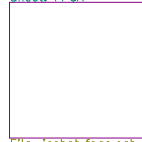
File: RPI_GPIO.sch

Sheet: power



File: Icehat_pwr.sch

Sheet: FPGA



File: Icehat_fpga.sch

Sheet: /
File: Icehat.sch

Title:

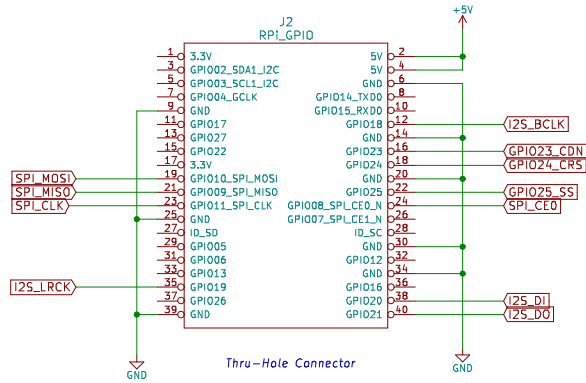
Size: A4

Date:

Rev:

KiCad E.D.A. kicad no-vcs-found-product

Id: 1/4



Sheet: /RPI_GPIO/
File: RPI_GPIO.sch

Title:

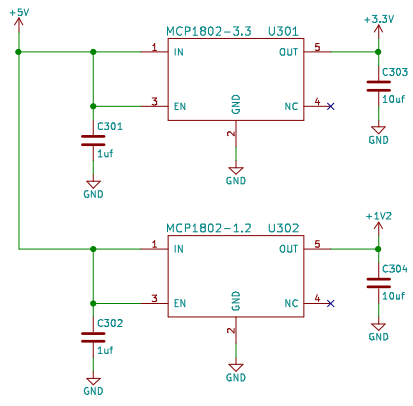
Size: A4

Date:

Rev:

KiCad E.D.A. kicad no-vcs-found-product

Id: 2/4



Sheet: /power/
File: icehat_pwr.sch

Title:

Size: A4 Date: 10-06-2016
KICad E.D.A. kicad no-vcs-found-product

Rev:
Id: 3/4

