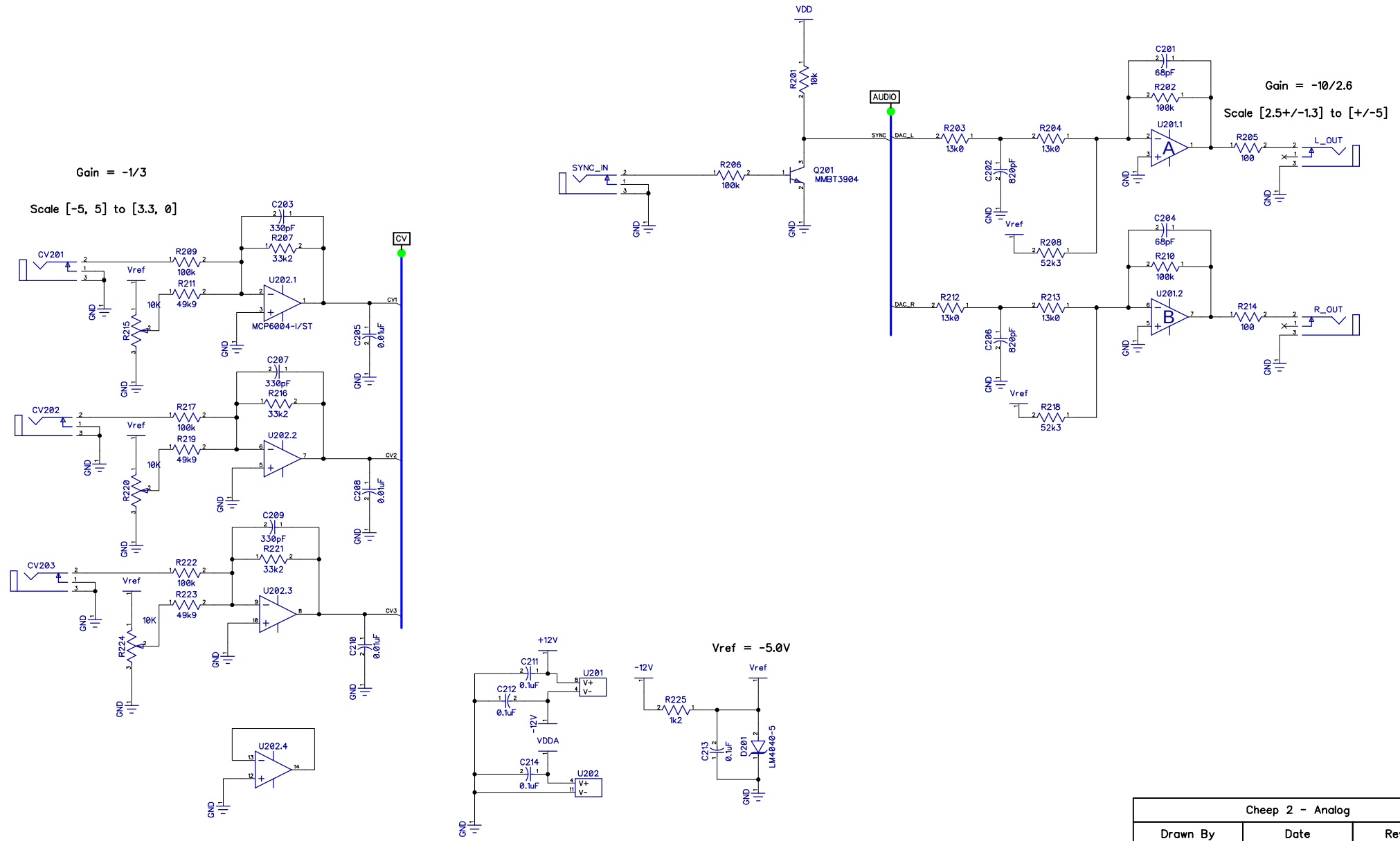


Cheep 2 - MCU & Power		
Drawn By	Date	Revision
E. Brombaugh	11 Dec 2015	-



Cheep 2 - Analog		
Drawn By	Date	Revision
E. Brombaugh	11 Dec 2015	-