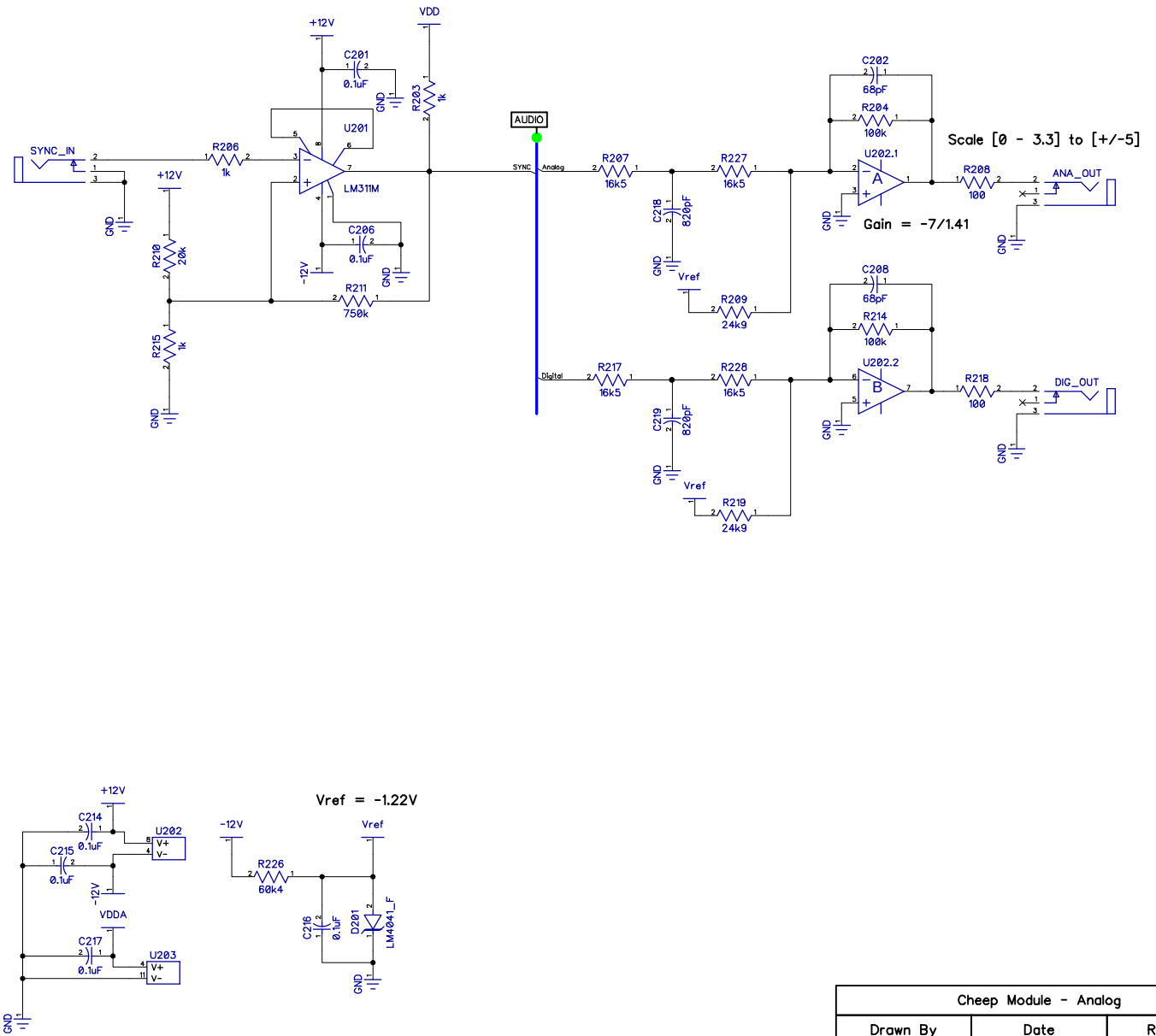
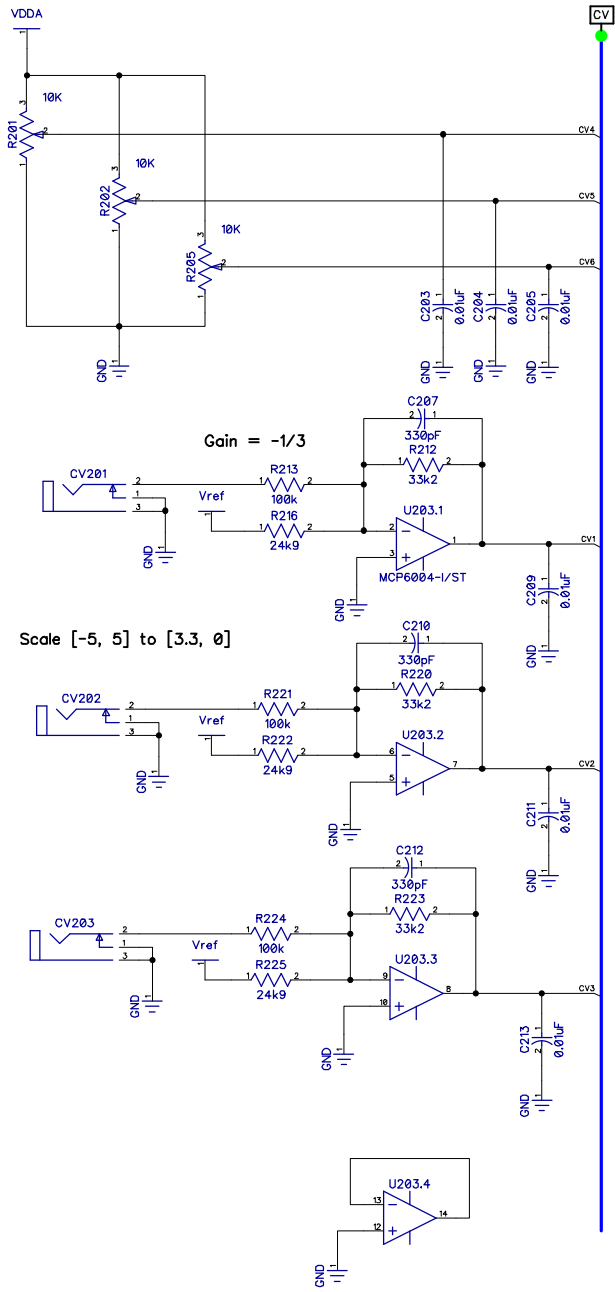


Cheep Module - MCU & Power		
Drawn By	Date	Revision
E. Brombaugh	30 April 2015	-



Cheep Module - Analog		
Drawn By	Date	Revision
E. Brombaugh	30 April 2015	-