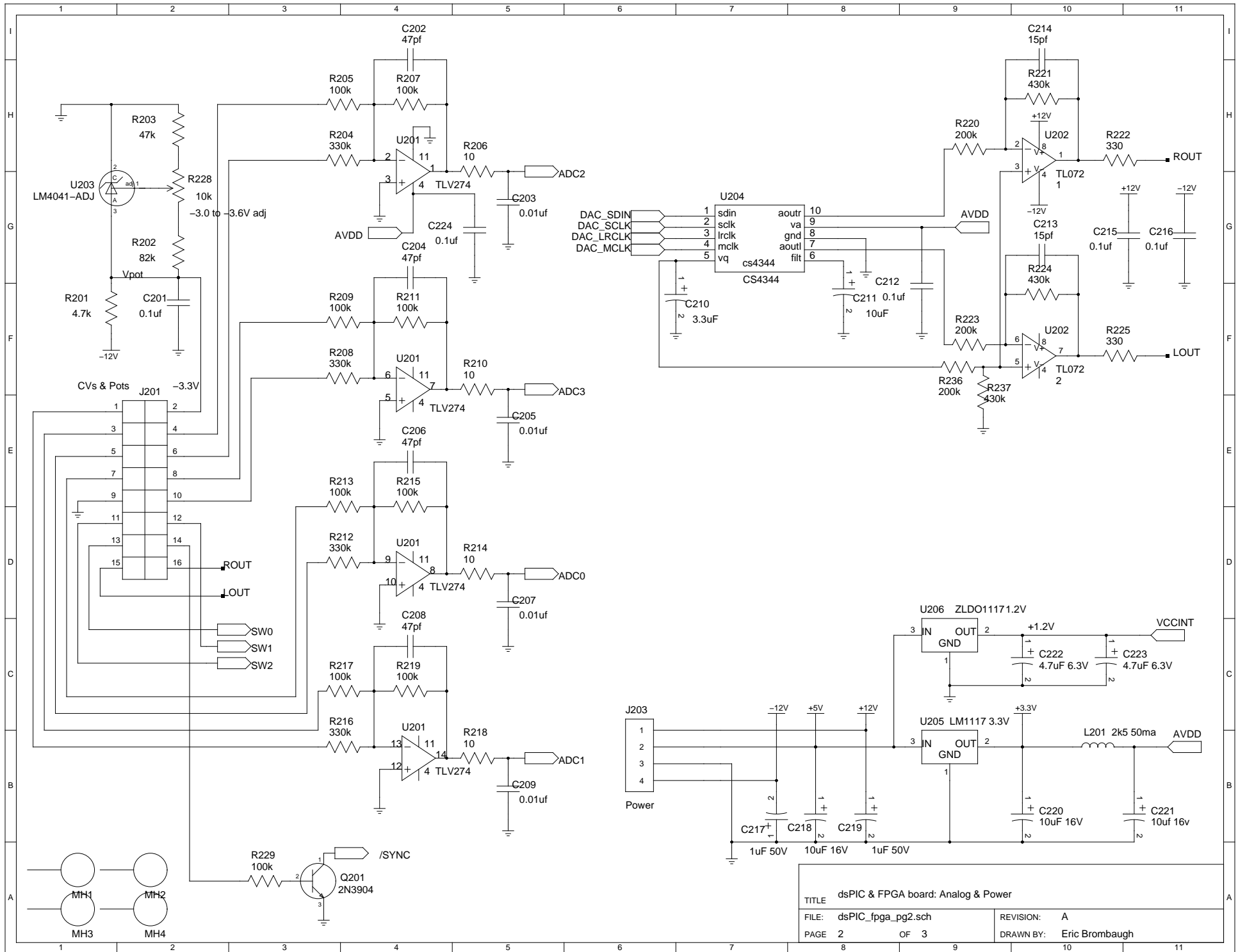
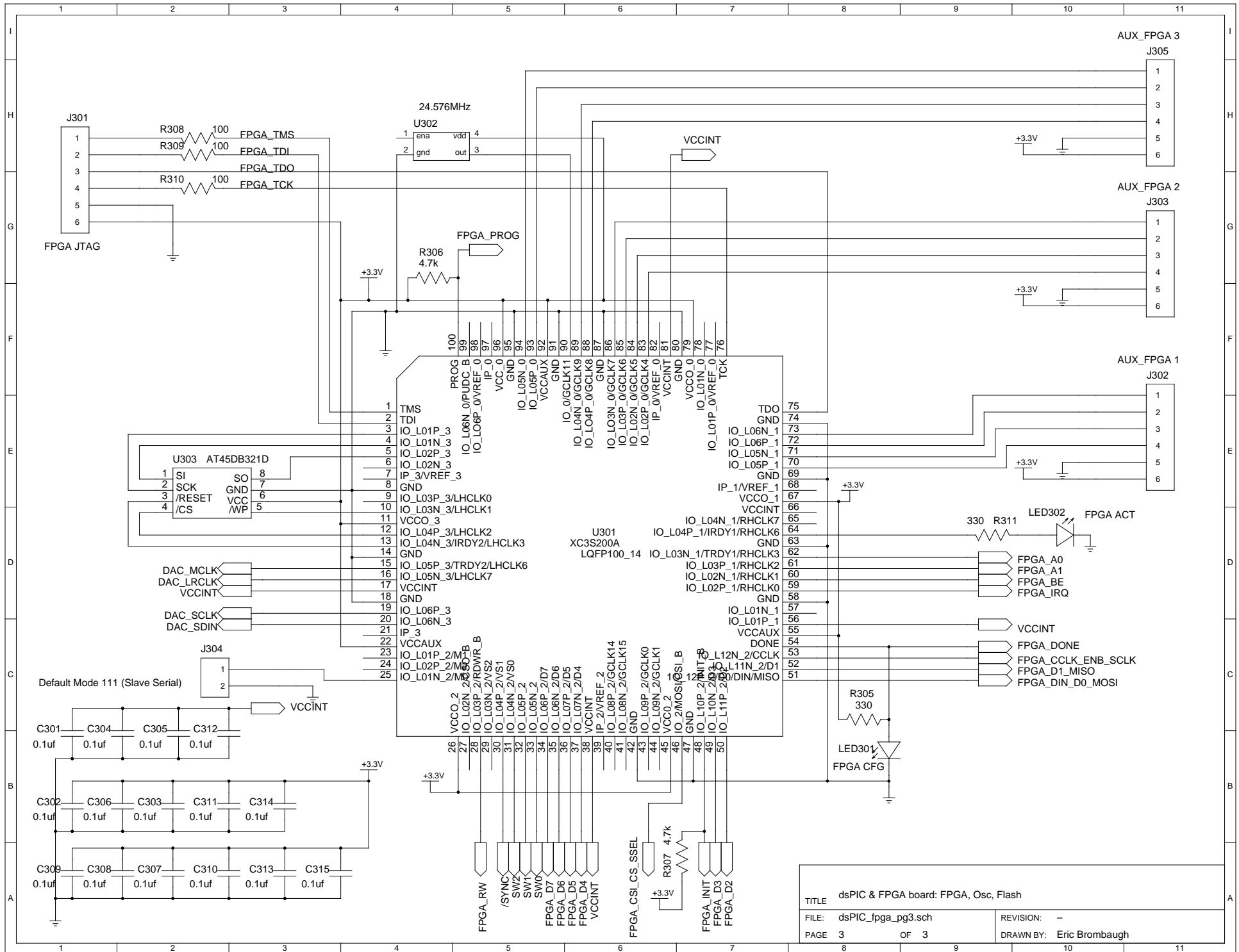


TITLE dsPIC & FPGA board: MCU & SD	
FILE: dsPIC_fpga_pg1.sch	REVISION: -
PAGE 1 OF 3	DRAWN BY: Eric Brombaugh





TITLE dsPIC & FPGA board: FPGA, Osc, Flash	
FILE: dsPIC_fpga_pg3.sch	REVISION: -
PAGE 3 OF 3	DRAWN BY: Eric Brombaugh