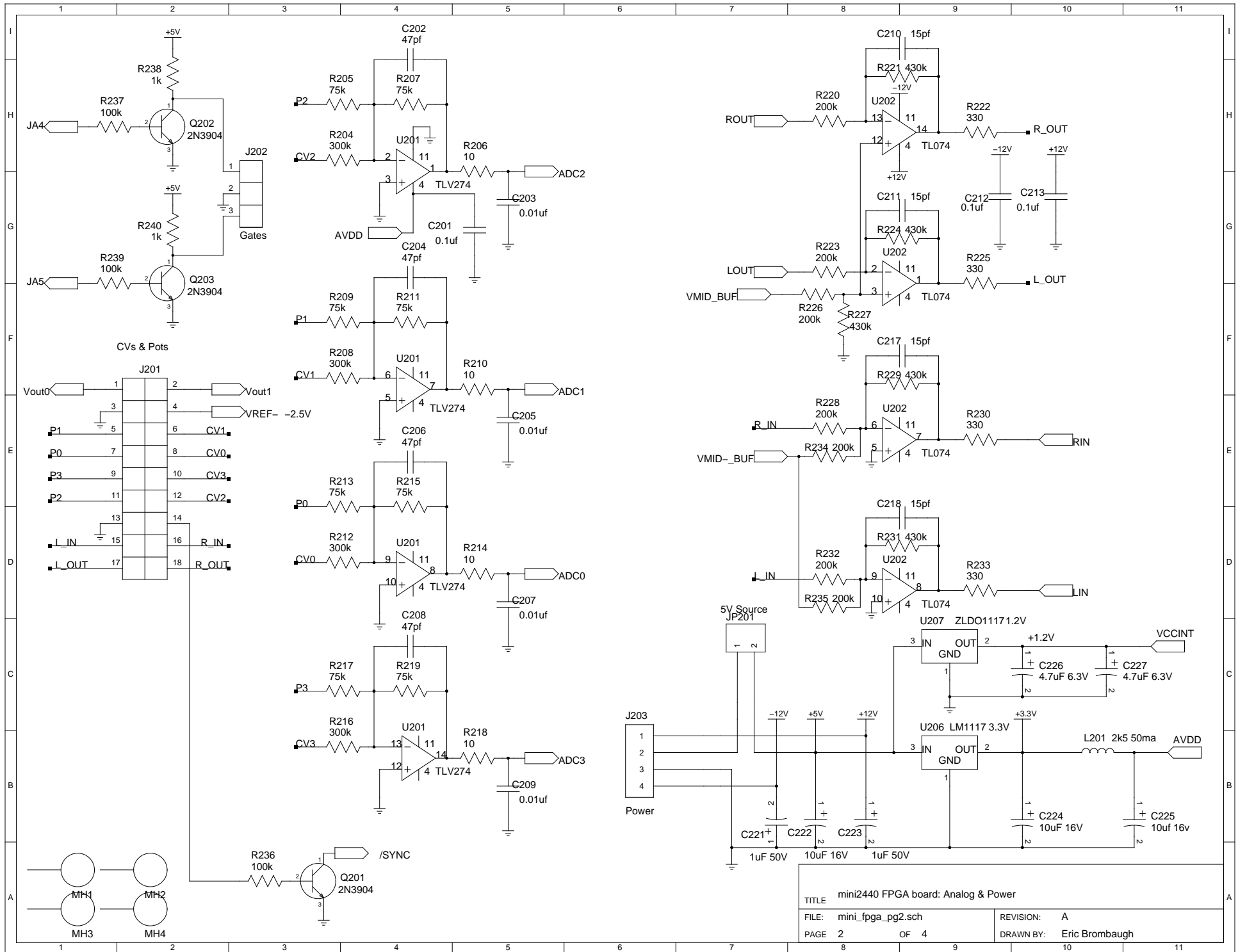
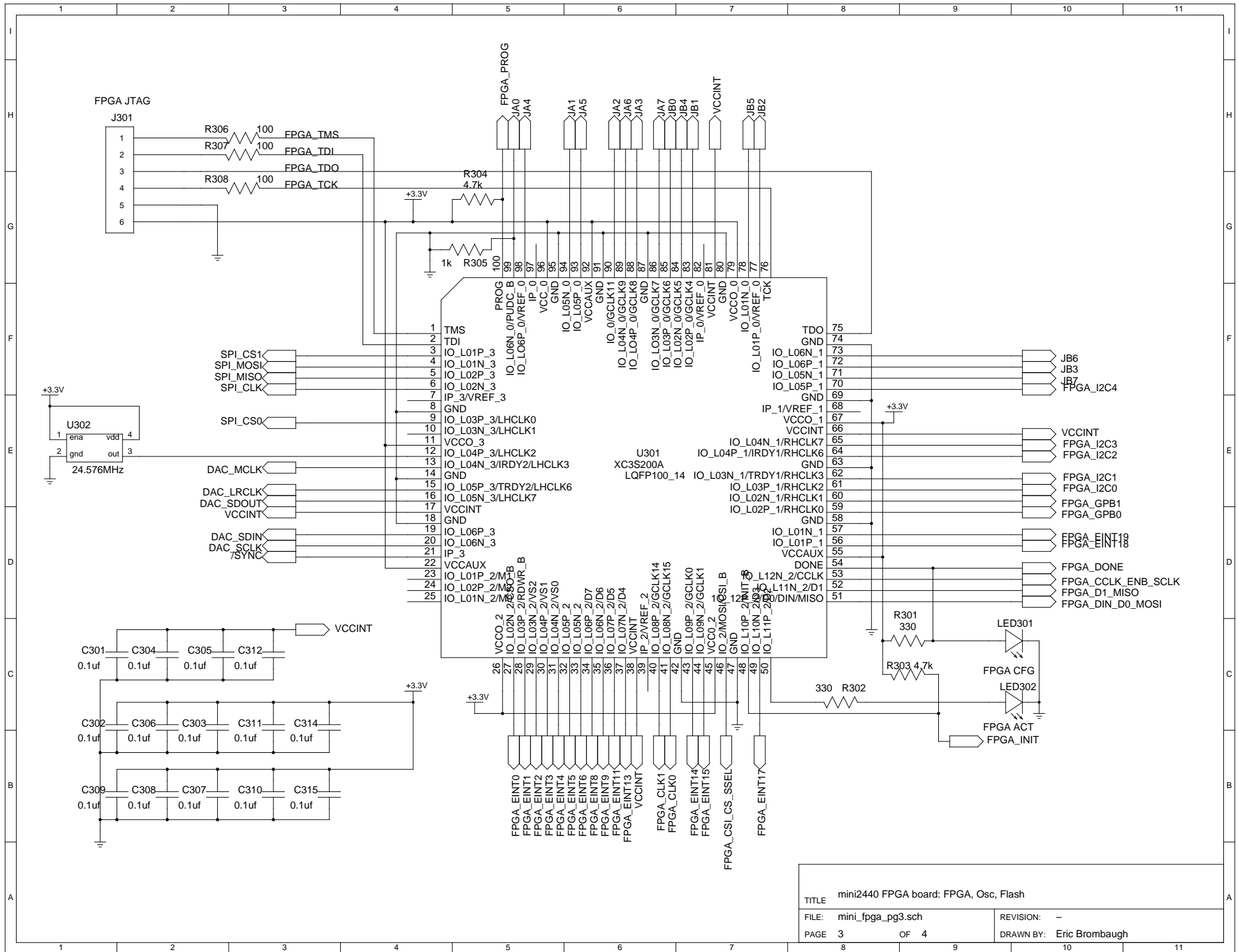


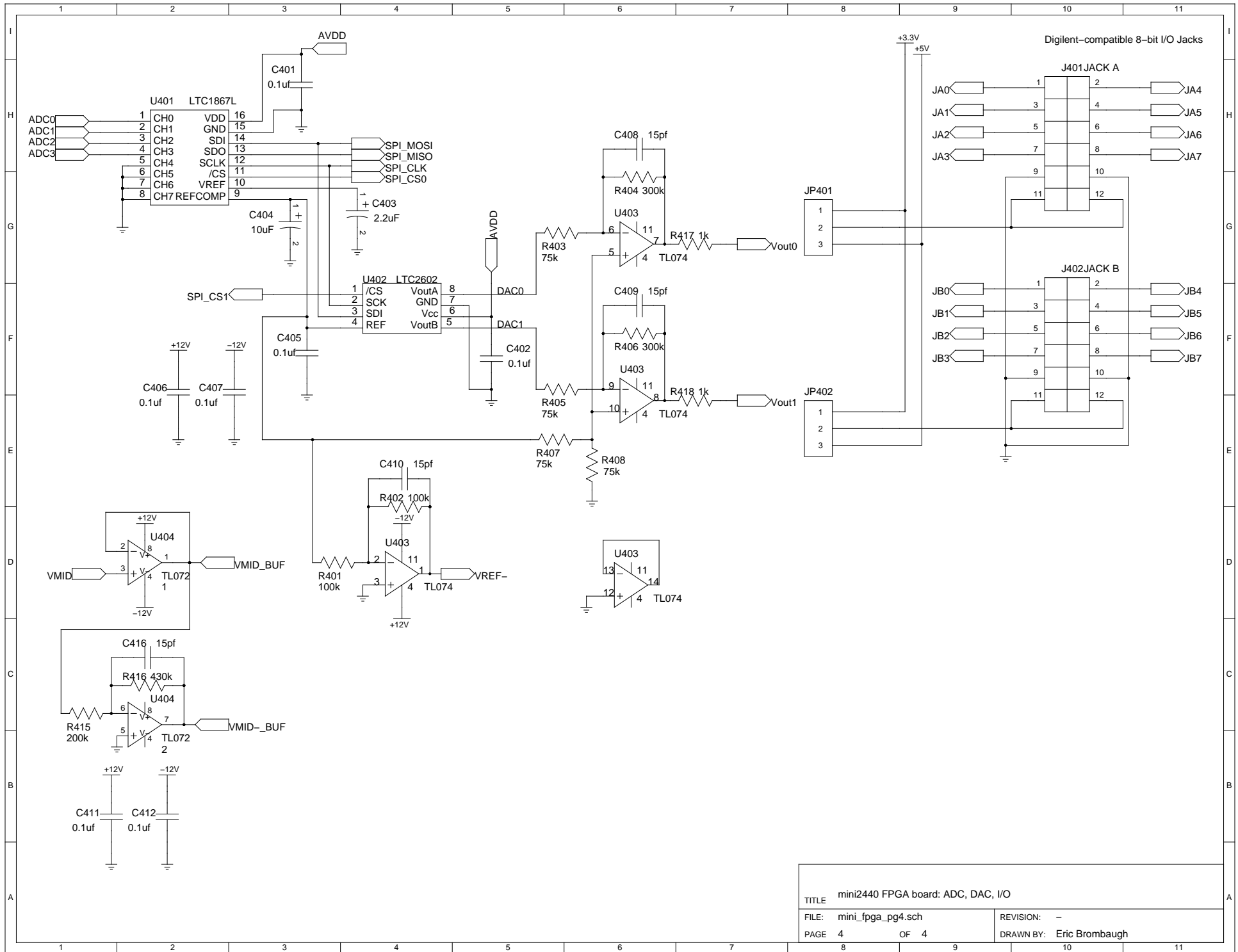
TITLE		mini2440 FPGA board: Interface	
FILE	mini_fpga_pg1.sch	REVISION:	-
PAGE	1 OF 4	DRAWN BY:	Eric Brombaugh



TITLE mini2440 FPGA board: Analog & Power	
FILE: mini_fpga_pg2.sch	REVISION: A
PAGE 2 OF 4	DRAWN BY: Eric Brombaugh



TITLE		mini2440 FPGA board: FPGA, Osc, Flash	
FILE:	mini_fpga_pg3.sch	REVISION:	-
PAGE	3	OF	4
DRAWN BY:		Eric Brombaugh	



TITLE mini2440 FPGA board: ADC, DAC, I/O	
FILE: mini_fpga_pg4.sch	REVISION: -
PAGE 4 OF 4	DRAWN BY: Eric Brombaugh