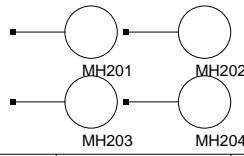
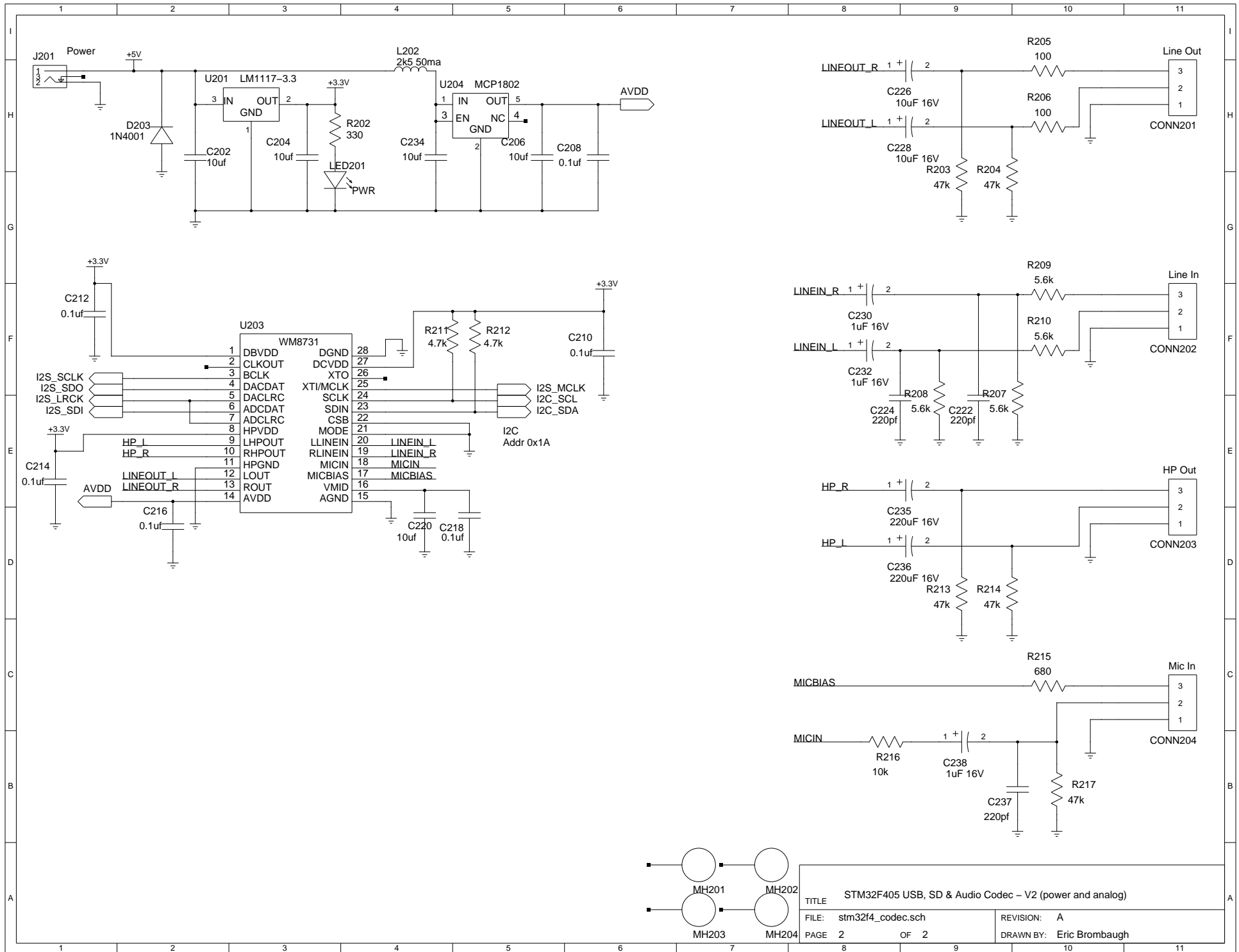


TITLE		STM32F405 USB, SD & Audio Codec - V2 (digital & I/O)	
FILE:	stm32f4_codec.sch	REVISION:	A
PAGE:	1	OF:	2
DRAWN BY:		Eric Brombaugh	



TITLE		STM32F405 USB, SD & Audio Codec - V2 (power and analog)	
FILE:	stm32f4_codec.sch	REVISION:	A
PAGE:	2	OF:	2
DRAWN BY:		Eric Brombaugh	